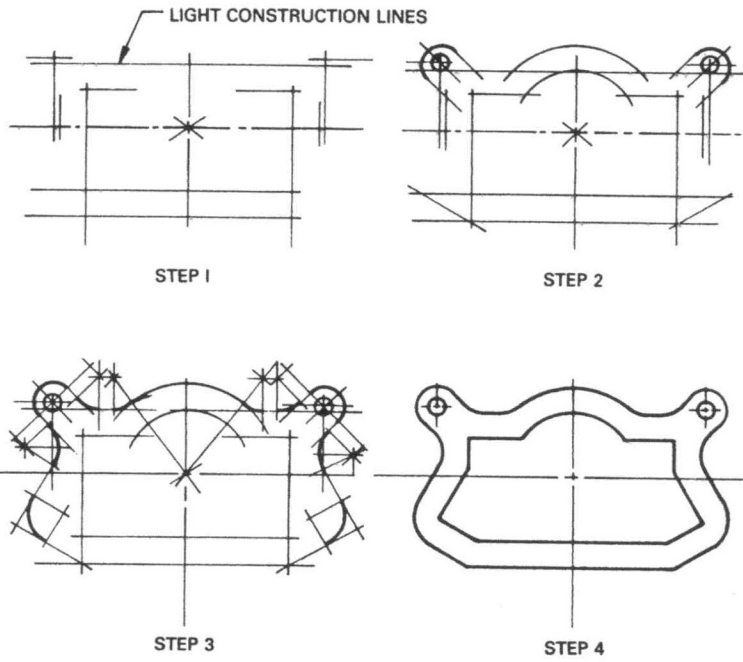


Fig. 4-2-C Gasket.



SEQUENCE OF STEPS FOR MAKING DRAWING OF GASKET

SYMBOL INDICATES SYMMETRICAL ABOUT THIS CENTER LINE

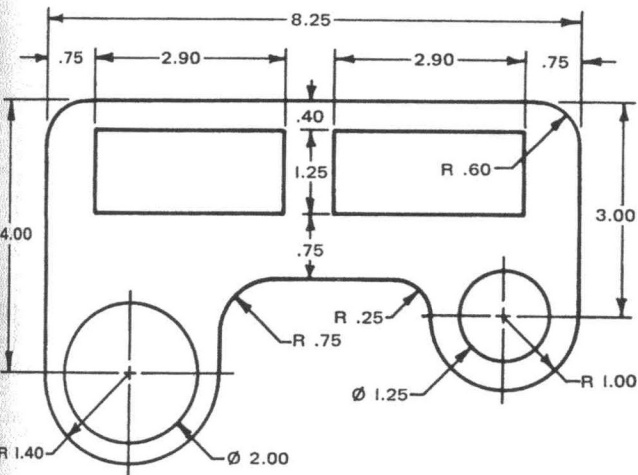


Fig. 4-2-D Template.

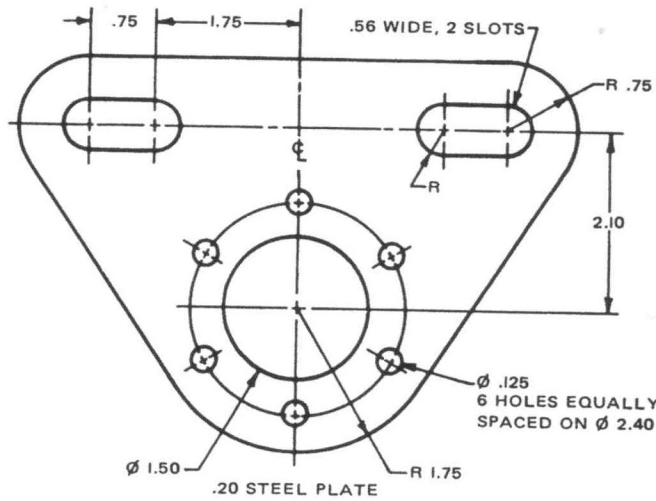


Fig. 4-2-F Shaft support.

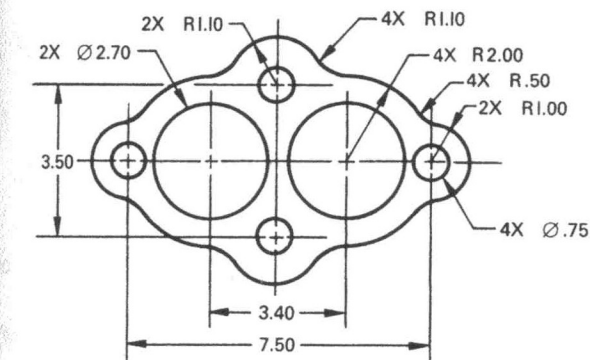


Fig. 4-2-E Carburetor gasket.

17. On an A (A4) size format, draw the gasket shown in Fig. 4-2-C. Scale 1:1. Do not dimension.
18. On a B (A3) size format, draw the template shown in Fig. 4-2-D. Scale 1:1. Do not dimension.
19. On a B (A3) size format draw one of the parts shown in Figs. 4-2-E and 4-2-F. Scale 1:1. Do not dimension.

6.35 (Figure 6.146) Draw the slip cover, using the given dimensions.

6.36 (Figure 6.147) Draw the wing plate, using the given dimensions.

6.37 (Figure 6.148) Draw the harness guide, using the given dimensions.

6.38 (Figure 6.149) Draw the multi port, using the given dimensions.

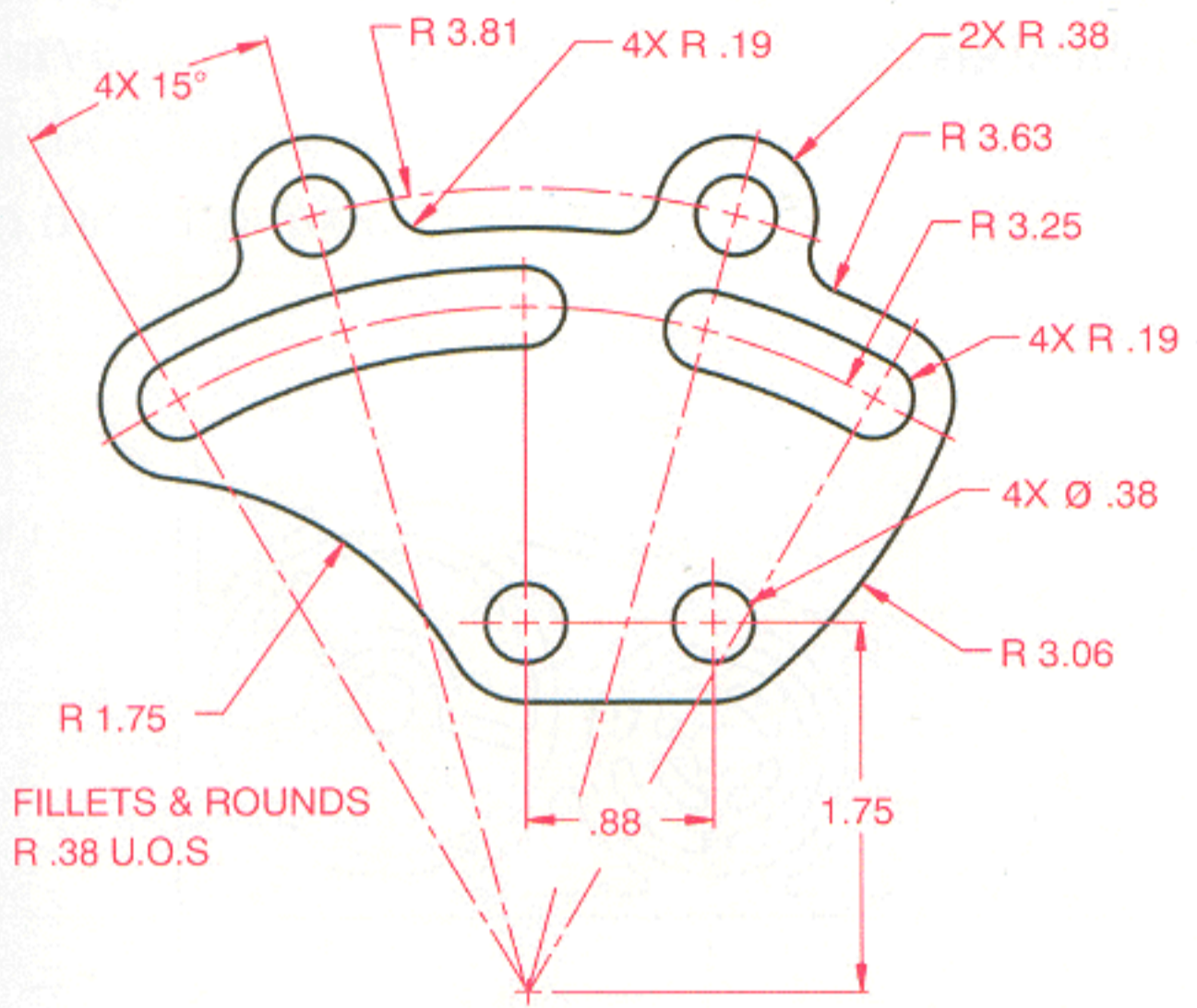


Figure 6.144 Arched Follower

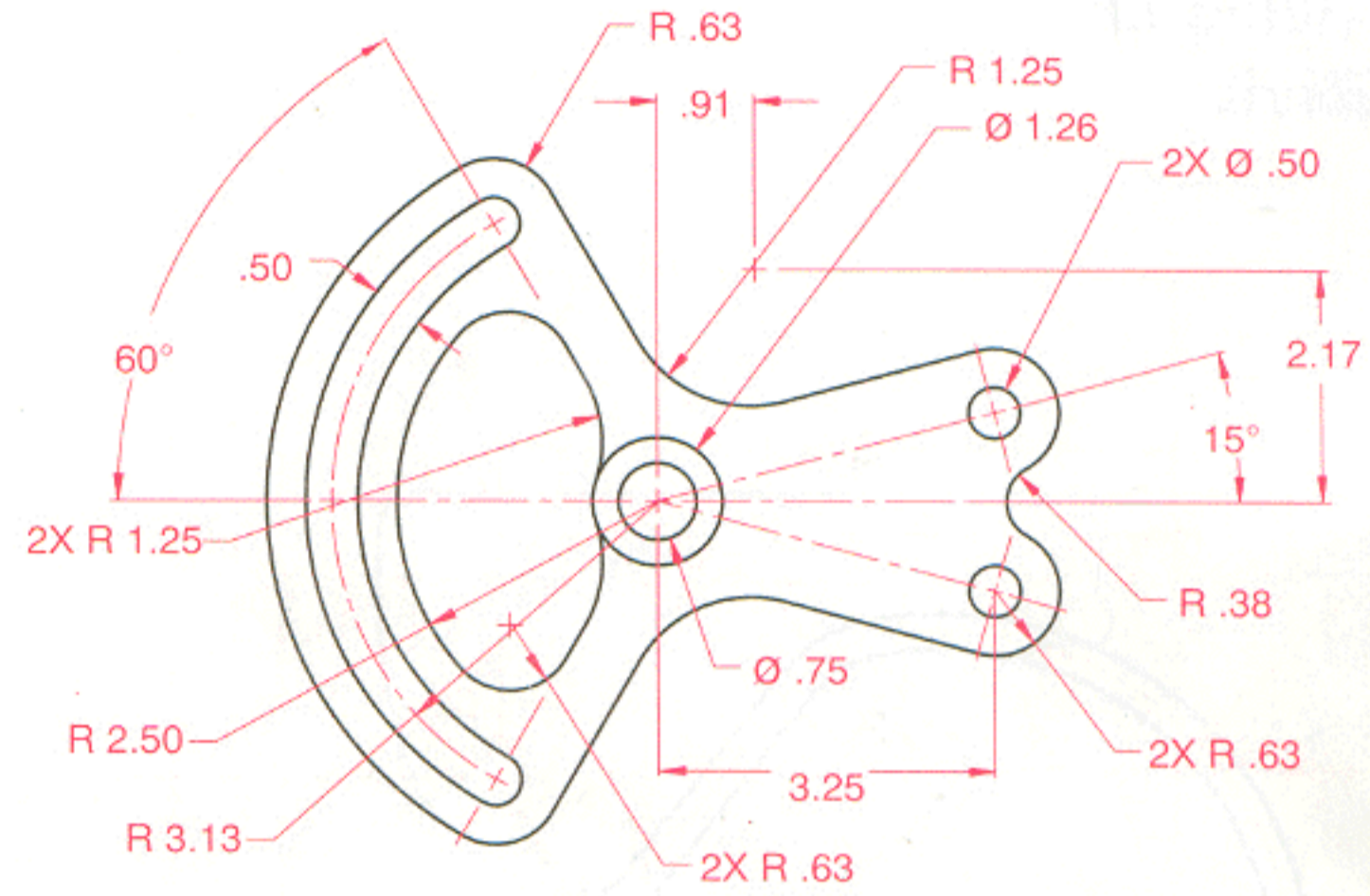


Figure 6.145 Butterfly Spacer

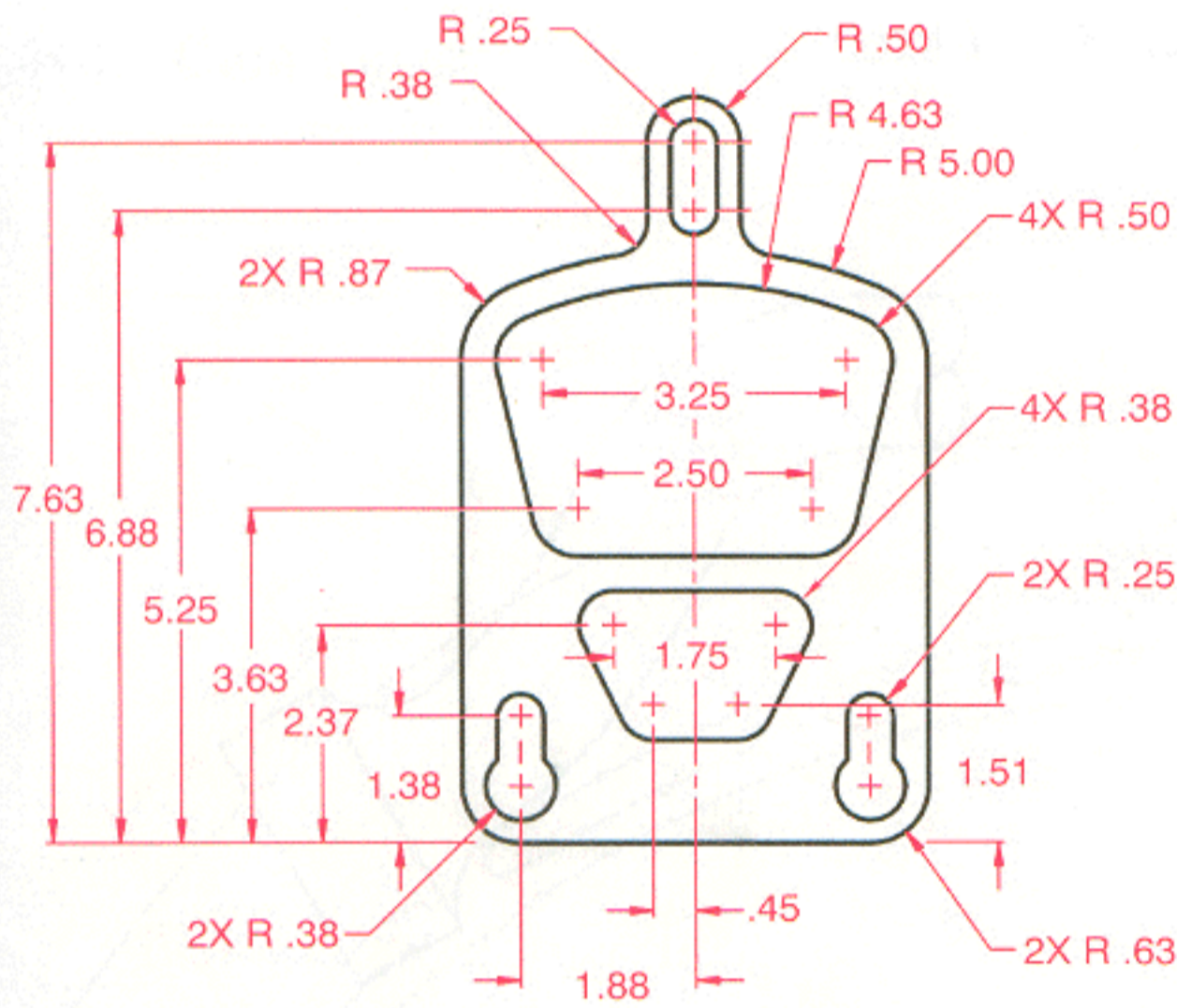


Figure 6.146 Slip Cover

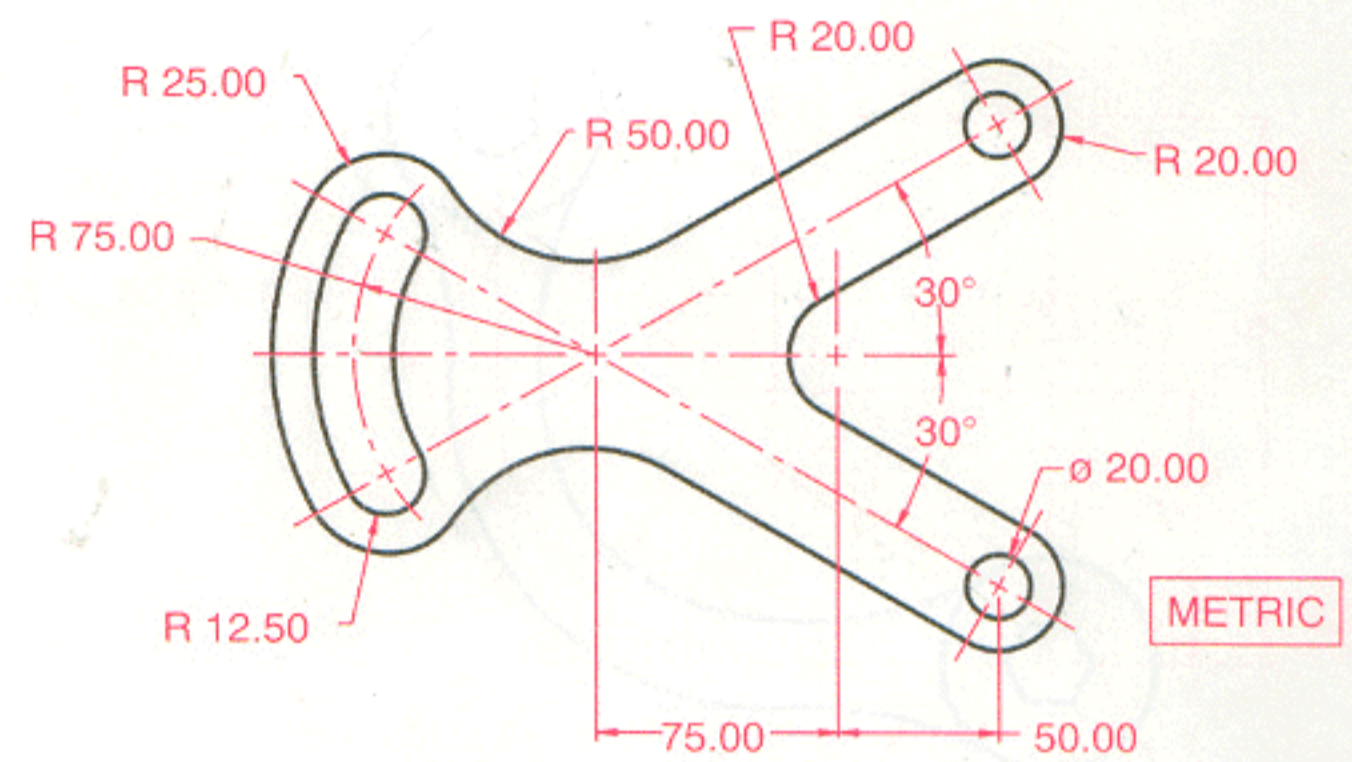


Figure 6.147 Wing Plate

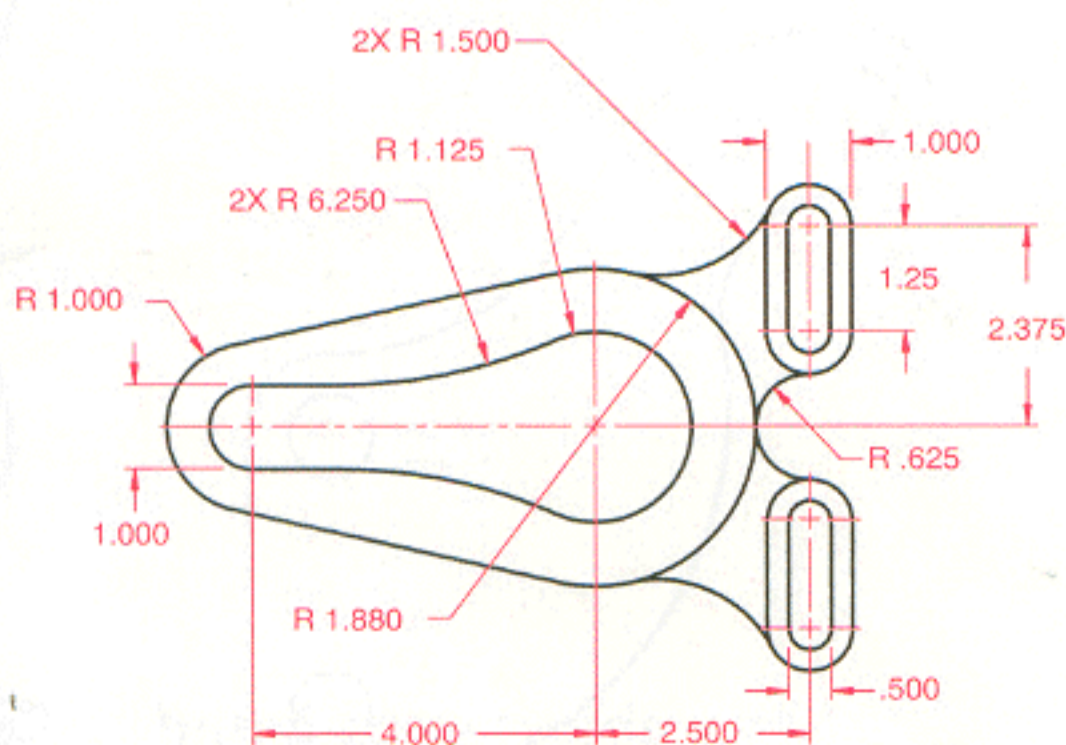


Figure 6.148 Harness Guide

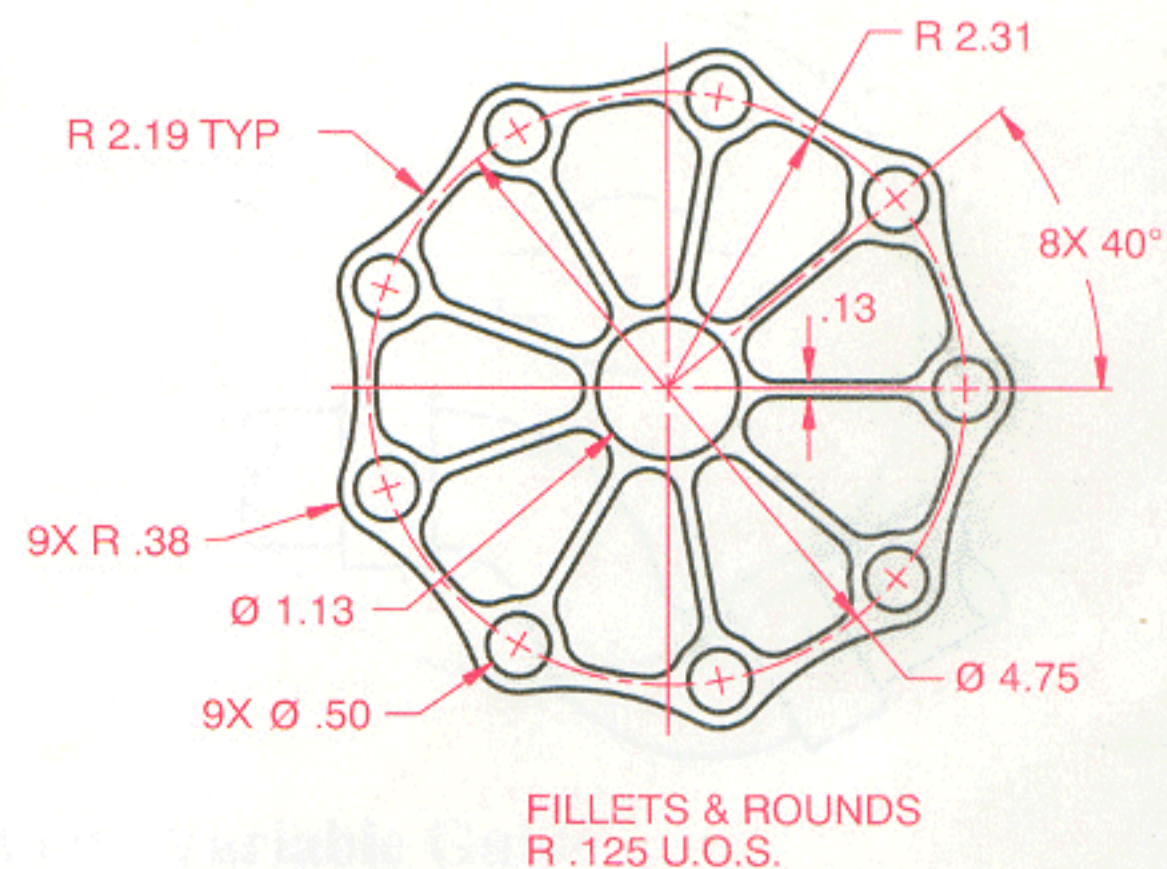


Figure 6.149 Multi Port